



KIT LUBE



PUMPS



METERS



NOZZLE METERS



NOZZLE



# VISCOMAT DC

## FEATURES

- BUILT-IN BYPASS
- SMALL SIZE
- EASY TO FIT
- MULTI-PURPOSE PUMP

### EN.

The Piusi VISCOMAT DC is an electric DC gear pump suitable for transferring high viscosity oils. The pump is equipped with a built-in pressure bypass.

### PERFORMANCE

up to  
**2000**  
cSt

VISCOSITY

up to  
**10 L/MIN**  
from 4-10 l/min

FLOW-RATE

up to  
**5 bar**

PRESSURE

below  
**65 dB**

NOISE LEVEL\*



VISCOMAT DC



### PACKAGING

CODE	WEIGHT		PACKAGING			
	KG	LBS	MM	INCH	PCS/PALLET	PCS/BOX
FO030902A	3	6,6	200X120X140	7,9X4,7X5,5		1
<b>FO030901A</b>	<b>4,9</b>	<b>10,8</b>	<b>345X175X255</b>	<b>13,6X6,9X10</b>		<b>1</b>
FO030900A	4,9	10,8	345X175X255	13,6X6,9X10		1
FO031002A	3	6,6	200X120X140	7,9X4,7X5,5		1
FO031001A	4,9	10,8	345X175X255	13,6X6,9X10		1
FO031000A	4,9	10,8	345X175X255	13,6X6,9X10		1
FO0311000	4,9	10,8	345X175X255	13,6X6,9X10		1
FO0311010	4,9	10,8	345X175X255	13,6X6,9X10		1



FILTERING



OIL MONITORING



HOSE REEL



ACCESSORIES



MERCHANDISE



AIR



ANTIFREEZE



BODIESEL



DIESEL



FOOD



GASOLINE



GREASE



KEROSENE



OIL



AdBlue®

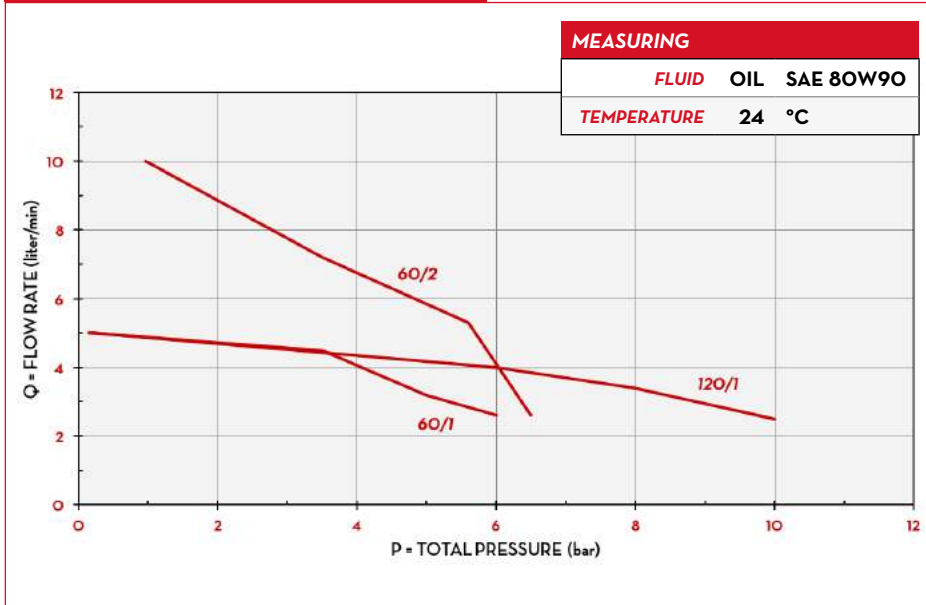


WATER



WINDSCREEN

CHARTS



IN THE BOX

- VISCOMAT GEAR PUMP
- INSTRUCTION MANUAL

DETAILS

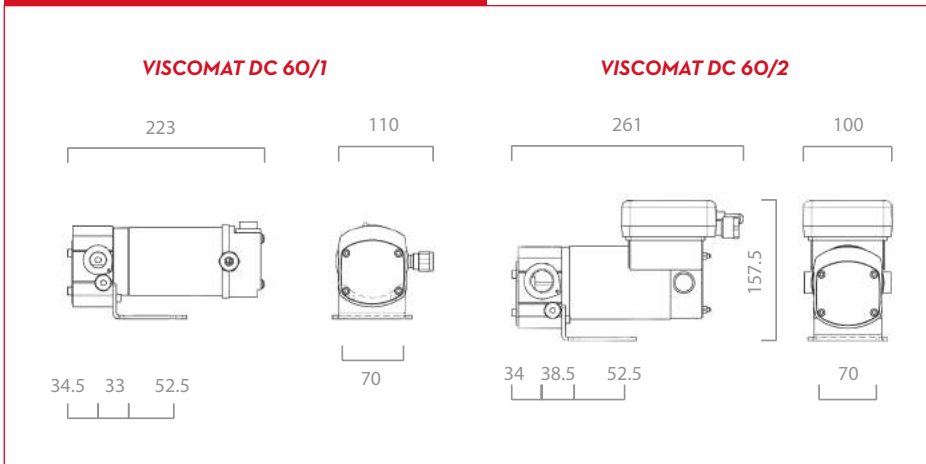


GEAR ROTOR



ON / OFF SWITCH

DIMENSIONS



MATERIALS

- BODY: CAST IRON
- GEARS: SINTERED STEEL
- SHAFT: STEEL
- BYPASS: BRASS

TECHNICAL DATA

CODE	DESCRIPTION	FLUIDS TYPE	FLOW-RATE		AIR PRESSURE		VOLTAGE			RPM	INLET OUTLET BSP	PRESSURE SWITCH
			L/MIN	GPM	BAR	PSI	MOTOR V./HZ	POWER WATT	AMP. MAX.			
FO030902A	VISCOMAT DC 60/1 12 V	O	4	1,2	5	70	12	150	18,5	2900	1/2" BSP	NO
FO030901A	VISCOMAT DC 60/2 12 V (*)	O	10	2,8	4	57	12	300	35	2900	3/4" BSP	NO
FO030901A	VISCOMAT DC 120/1 12 V	O	5	1,4	10	140	12	200	26,5	2900	1/2" BSP	NO
FO031002A	VISCOMAT DC 60/1 24 V	O	4	1,2	5	70	24	150	9,5	2900	1/2" BSP	NO
FO031001A	VISCOMAT DC 60/2 24 V (*)	O	10	2,8	4	57	24	300	18	2900	3/4" BSP	NO
FO031000A	VISCOMAT DC 120/1 24 V	O	5	1,4	10	140	24	200	19,5	2900	1/2" BSP	NO
FO0311000	VISCOMAT DC 120/1 12 V PST	O	5	1,4	10	140	12	200	22,5	2900	1/2" BSP	YES
FO0311010	VISCOMAT DC 120/1 24 V PST	O	5	1,4	10	140	24	200	19,5	2900	1/2" BSP	YES

(\*) FOR VISCOMAT DC 60/2 MAX OIL VISCOSITY 600 CST