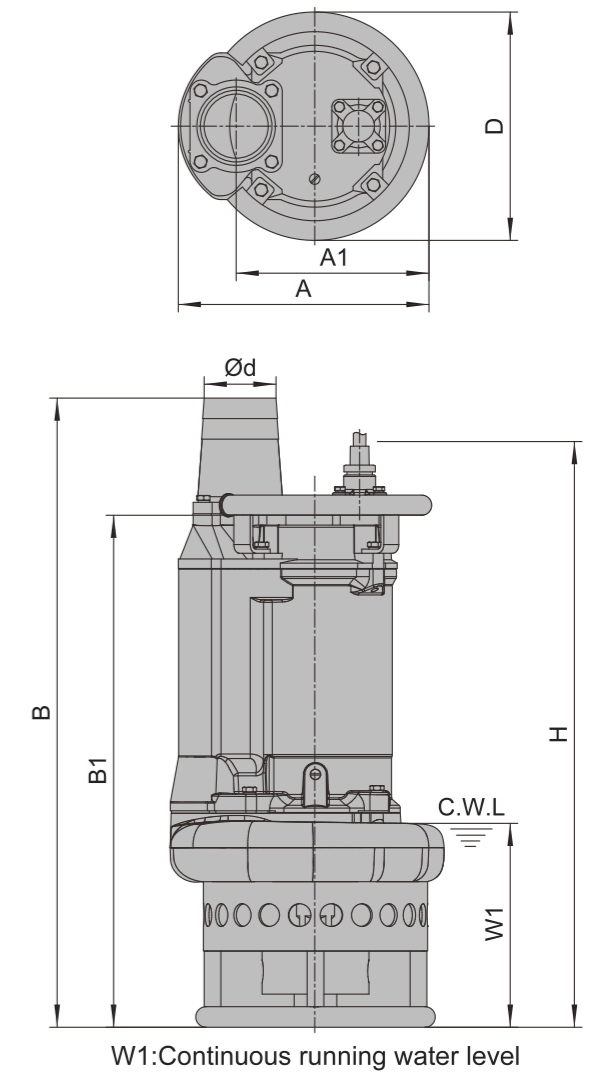
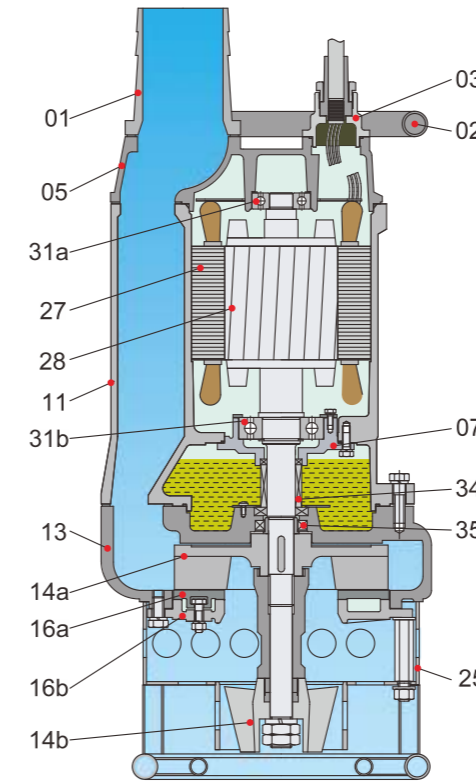


Submersible slurry pump with a 4-pole motor for an increased lifetime and greater convenience. High chrome alloy impeller combined with agitator for pumping heavy slurry. Slim design with a top discharge enabling installation in smaller casing. For bentonite mixed water in foundation works or muddy water in civil engineering works.



W1:Continuous running water level

Specification

- Capacity: up to 372 m³/h
- Head: up to 32 meters
- Discharge: 80mm(3") to 200mm(8")
- Power: 4kW(5.5HP) to 22kW(30HP)
- Power supply: three phase 380V ± 10%, 50Hz
380V ± 10%, 60Hz
- Insulation class: F
- Protection class: IP68
- Cable length: 8m
- Water temperature: up to 40°C
- Max. water depth: 15m

Application

- Civil engineering
- Mines, quarries, coal ore & slurries
- Sewage treatment plants
- General pumping purposes
- Pumping fluid: sludge, liquids-containing mud and bentonite

Special features on request

- Other voltages
- The length of cable is optional

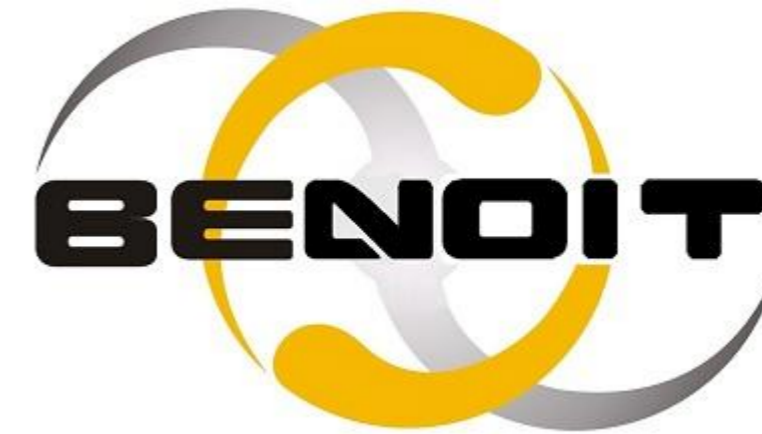
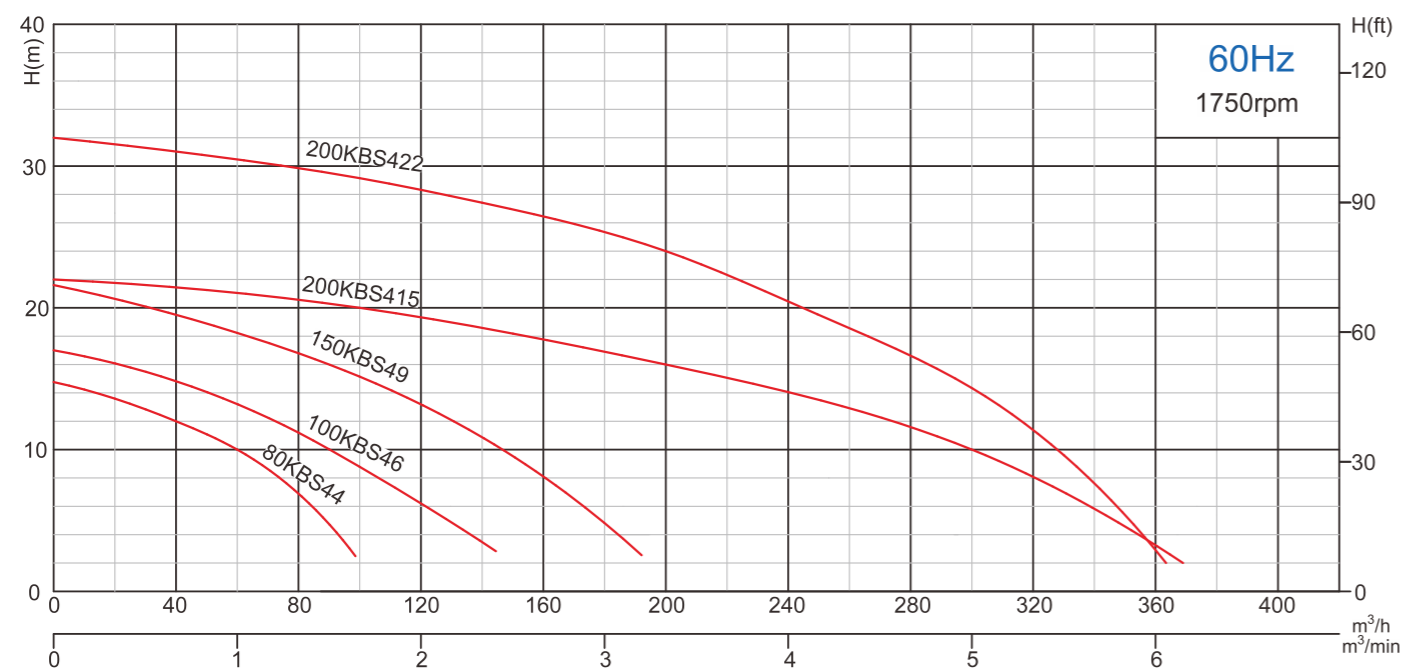
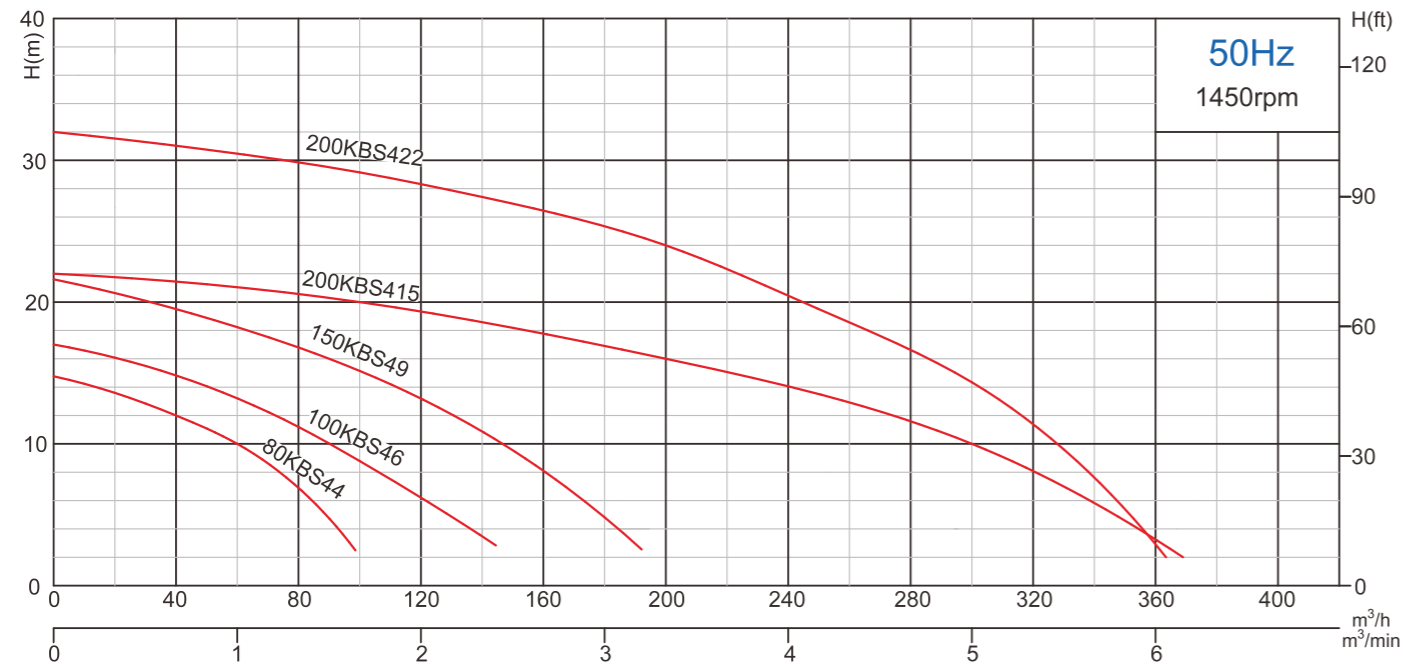
Material of construction

Item No.	Part name	Material	Item No.	Part name	Material
01	Hose coupling	Cast iron	25	Strainer	Steel
02	Handle	Steel	27	Stator	
05	Upper cover	Cast iron	28	Rotor	Shaft:AISI420SS
07	Bearing house	Cast iron	31a	Bearing	Ball bearing
11	Motor body	Cast iron	31b	Bearing	Ball bearing
13	Pump body	Cast iron	34	Mechanical seal	Sic-Sic/Sic-Sic Tc-Sic/Sic-Sic(≥ 15kW)
14a	Impeller	High chrome alloy	35	Oil seal	
14b	Agitator	High chrome alloy	47	Cable	
16a	Inlet plate	High chrome alloy			
16b	Inlet plate	Cast iron			

Dimensions & weights

Model (50/60Hz)	d	A	A1	B	B1	D	H	W1	N.W	G.W	Packing dimension
	mm	mm	mm	mm	mm	mm	mm	mm	Kg	Kg	mm
80KBS44	80	350	260	816	678	326	730	250	108.5	119	885x385x395
100KBS46	100	415	305	844	682	373	730	250	141	151	470x410x985
150KBS49	150	434	324	889	727	407	776	250	171	183	470x470x1045
200KBS415	200	484	352	1121	889	457	980	295	260	278	540x500x1220
200KBS422	200	578	442	1245	1015	528	1200	330	408	434	740x570x1460

Performance curves



Performance table

Model (50/60Hz)	Outlet mm	Motor power		Starting Method	Rated current (380V) A	Rated capacity		Rated head m	Max capacity		Max Head m	Impeller Passage mm
		kW	HP			m³/h	m³/min		m³/h	m³/min		
80KBS44	80	4	5.5	D.O.L.	10.2	60	1.0	10	99	1.65	14.8	30
100KBS46	100	6	8	D.O.L.	13.8	90	1.50	10	144	2.40	16.9	30
150KBS49	150	9	12	D.O.L.	19.5	100	1.67	15	192	3.20	21.5	30
200KBS415	200	15	20	D.O.L.	30.1	200	3.33	16	372	6.20	22	30
200KBS422	200	22	30	Star-Delta	42	200	3.33	24	360	6	32	30