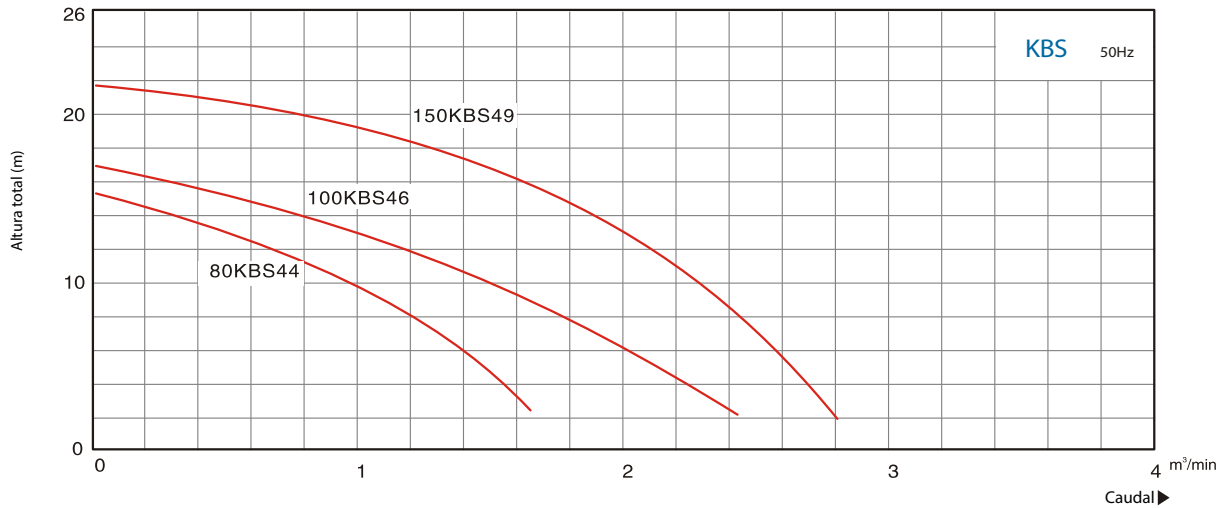
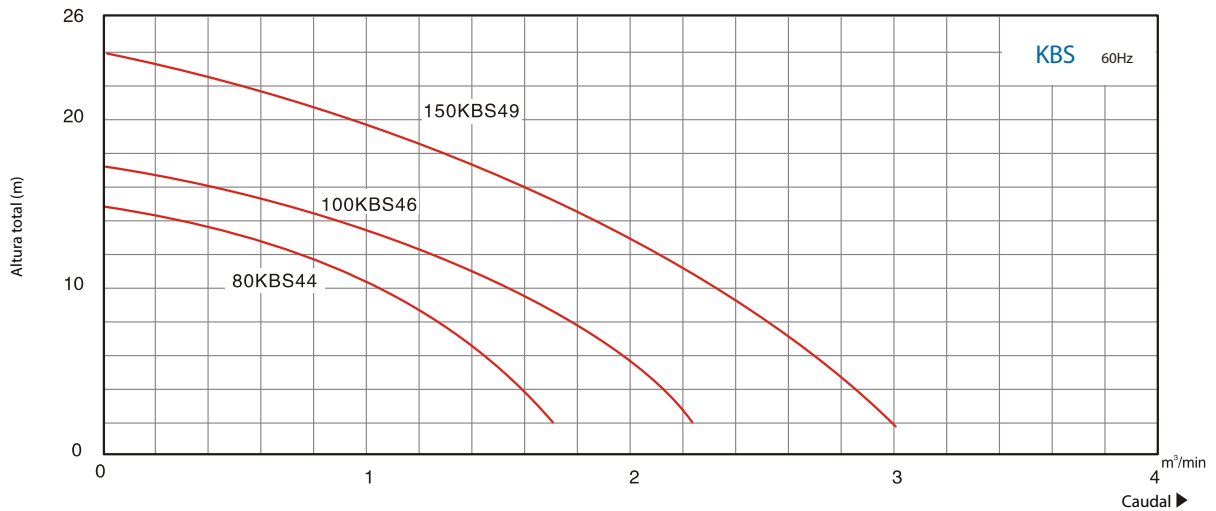


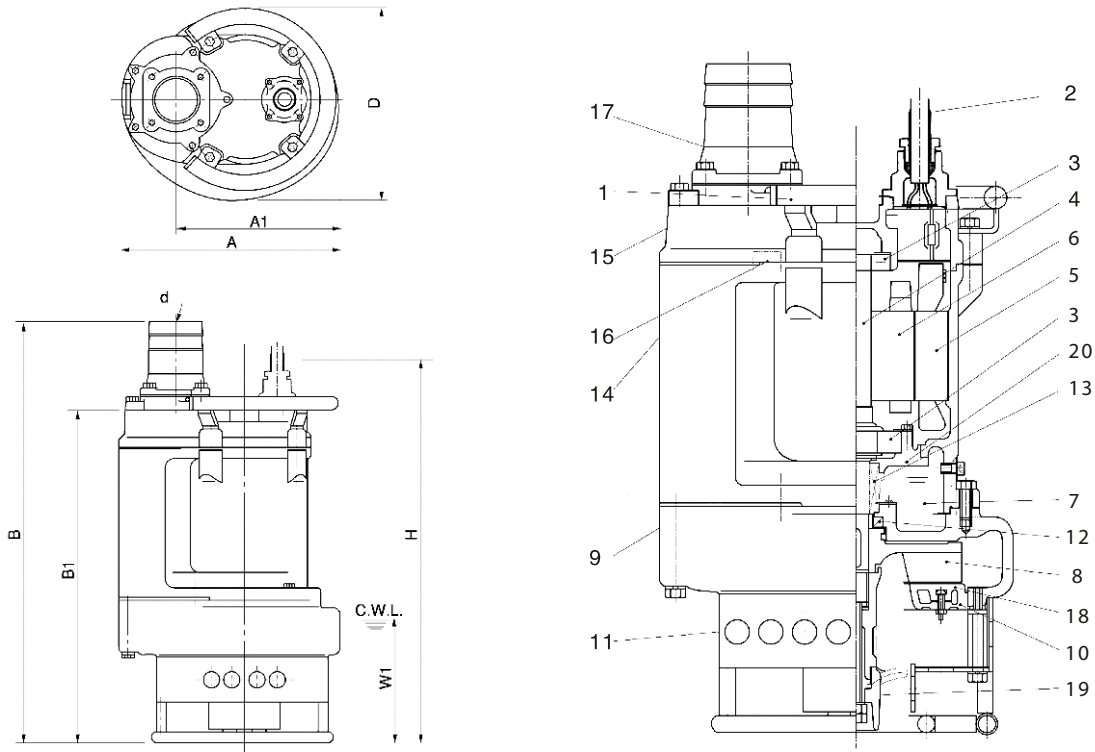
Curvas de operación 50 Hz n~ 1450 rpm



Curvas de operación 60 Hz n~ 1800 rpm



| Modelo | Outlet | Motor power Kw | Max head m | | Max capacity m³/min | | Impeller passage mm | N.W Kg | G.W Kg | Packing dimension mm |
|----------|--------|-------------------|---------------|------|------------------------|------|------------------------|-----------|-----------|-------------------------|
| | mm | | 50Hz | 60Hz | 50Hz | 60Hz | | | | |
| 80KBS44 | 80 | 4 | 14.8 | 14.5 | 1.65 | 1.70 | 30 | 105 | 113 | 830X415X470 |
| 100KBS46 | 100 | 6 | 16.9 | 16.5 | 2.50 | 2.35 | 30 | 145 | 156 | 915X475X520 |
| 150KBS49 | 150 | 9 | 21.5 | 23.5 | 2.85 | 2.90 | 30 | 170 | 184 | 935X500X555 |



| ItemNo. | Part name | Material | Item No. | Part name | Material |
|---------|-----------|-----------------------|----------|-----------------|-----------------------|
| 1 | Handle | Steel | 11 | Filter | Steel |
| 2 | Cable | 2PNCT-F | 12 | Oilseal bracket | |
| 3 | Bearing | Ball bearing | 13 | Mechanical seal | Sic-Sic/ Sic-Sic |
| 4 | Shaft | AISI420SS | 14 | Motor body | Cast iron |
| 5 | Rotor | | 15 | Upper cover | Cast iron |
| 6 | Stator | | 16 | Motor protector | |
| 7 | Lube oil | | 17 | Hose coupling | Cast iron |
| 8 | Impeller | Chromium iron casting | 18 | Suction plate | Chromium iron casting |
| 9 | Pump body | Cast iron | 19 | Agitator | Chromium iron casting |
| 10 | End plate | Cast iron | 20 | Bearing house | Cast iron |

| Modelo | d | A | A1 | B | B1 | D | H | W1 |
|----------|-----|-----|-----|-----|-----|-----|-----|-----|
| 80KBS44 | 80 | 350 | 260 | 765 | 666 | 326 | 730 | 250 |
| 100KBS46 | 100 | 415 | 305 | 848 | 688 | 373 | 730 | 250 |
| 150KBS49 | 150 | 434 | 324 | 869 | 709 | 407 | 776 | 250 |