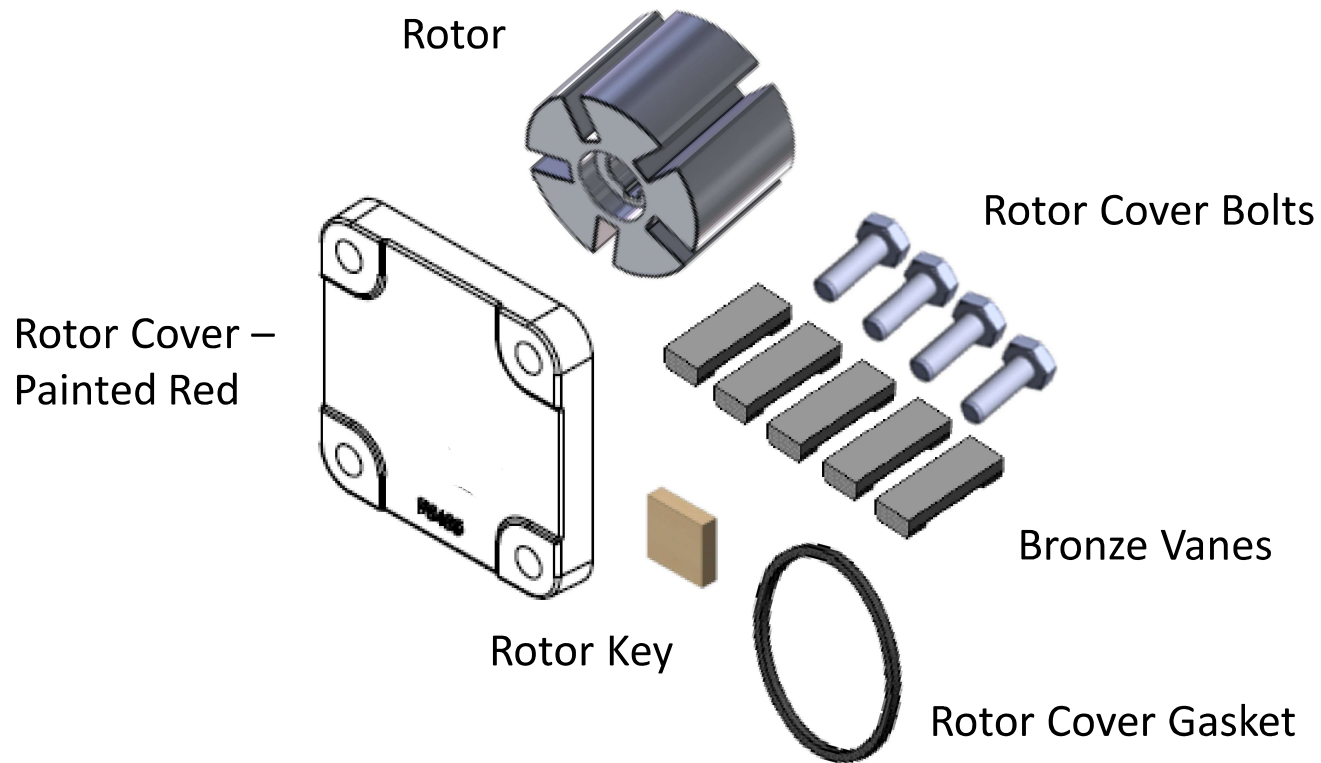


KIT120RG – Rotor Group Kit

- For all FR1200, FR2400, FR4200, FR4400, FR600, SD1200, and SD600 Pumps.
- Always replace the rotor and rotor cover to ensure they are the same hardness.



KIT120SL – Shaft Seal Kit

- For all FR1200, FR2400, FR4200, FR4400, FR600, SD1200, and SD600 Pumps.
- Depending on the age of your pump, you may need to use 1, 2 or all 3 of the washers. Instructions are included in the kit.

