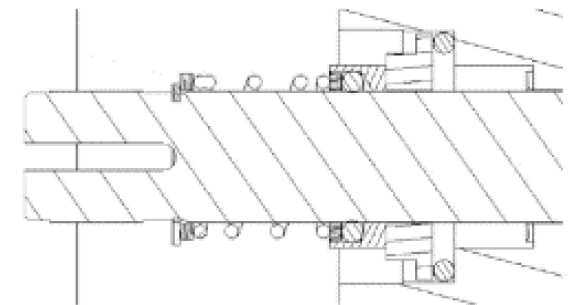
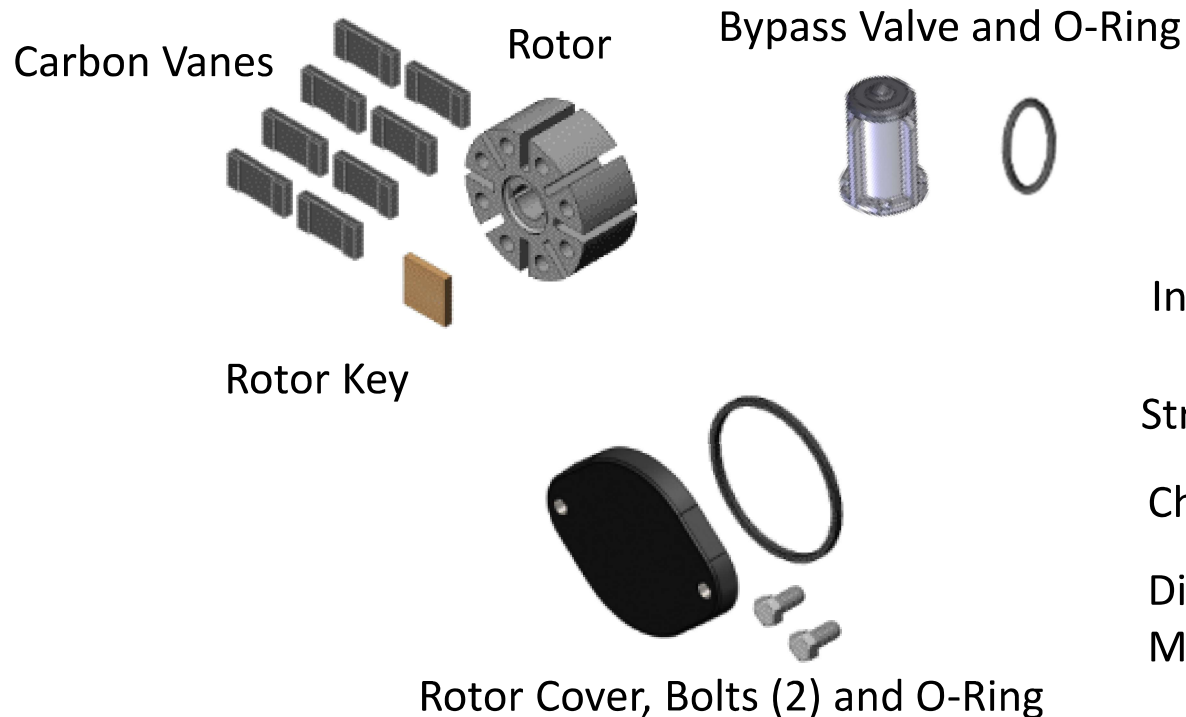


700KTF2659 Rebuild Kit

- For all FR700B and FR700V series Pumps.
- Always replace the rotor, rotor cover, and rotor cover bolts to ensure they are the same hardness.

Shaft Seal Assembly – [KIT700SL](#)



Inlet Flange Gasket



Strainer Cap Gasket



Check Valve Gasket

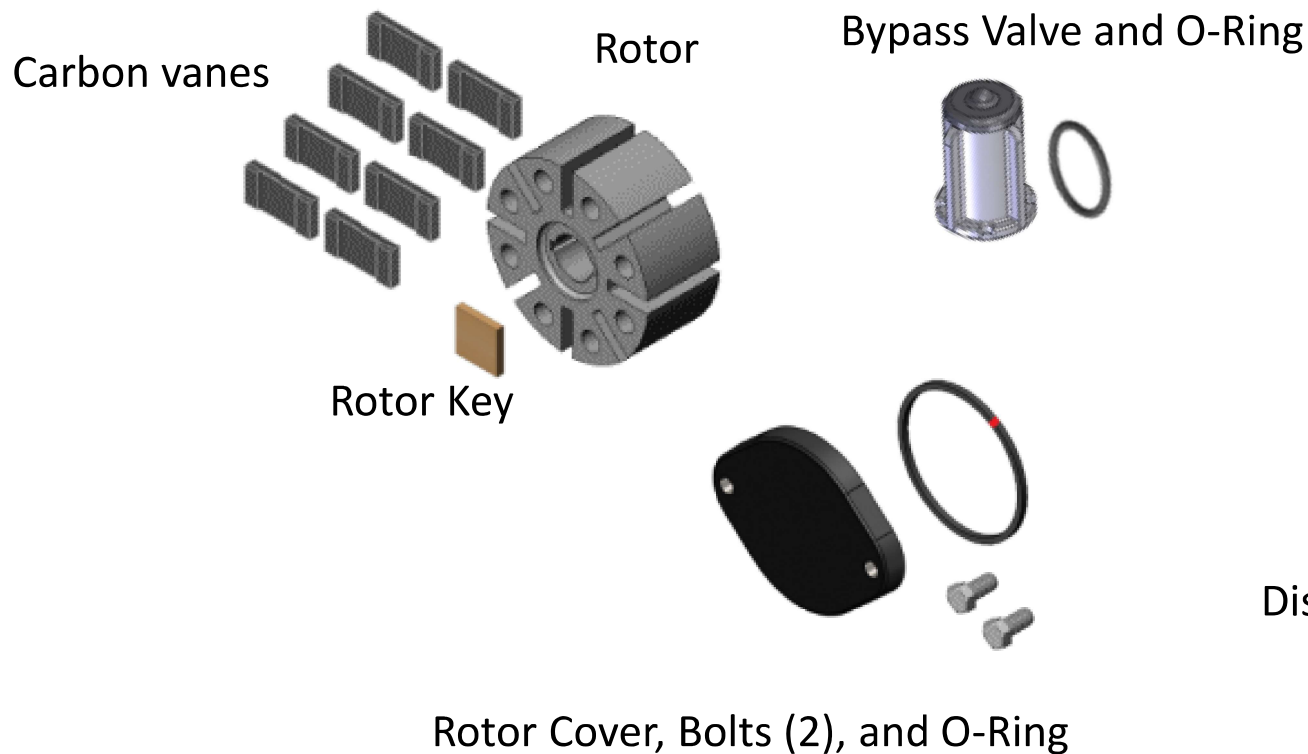


Discharge Flange / Meter Gasket

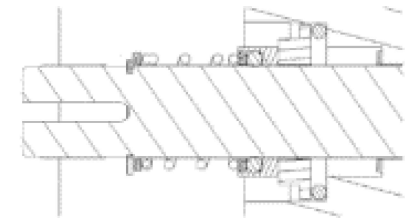


BD700KTH0711 – Bio-Diesel Rebuild Kit

- For BD700V or an FR700 series pump that has been converted using the KIT700BD Kit.
- All gaskets and bypass tip are Fluorocarbon.
- Always replace the rotor, rotor cover, and rotor cover bolts to ensure they are the same hardness.




Shaft Seal Assembly – [KIT700SL](#)



Inlet Flange Gasket



Strainer Cap Gasket

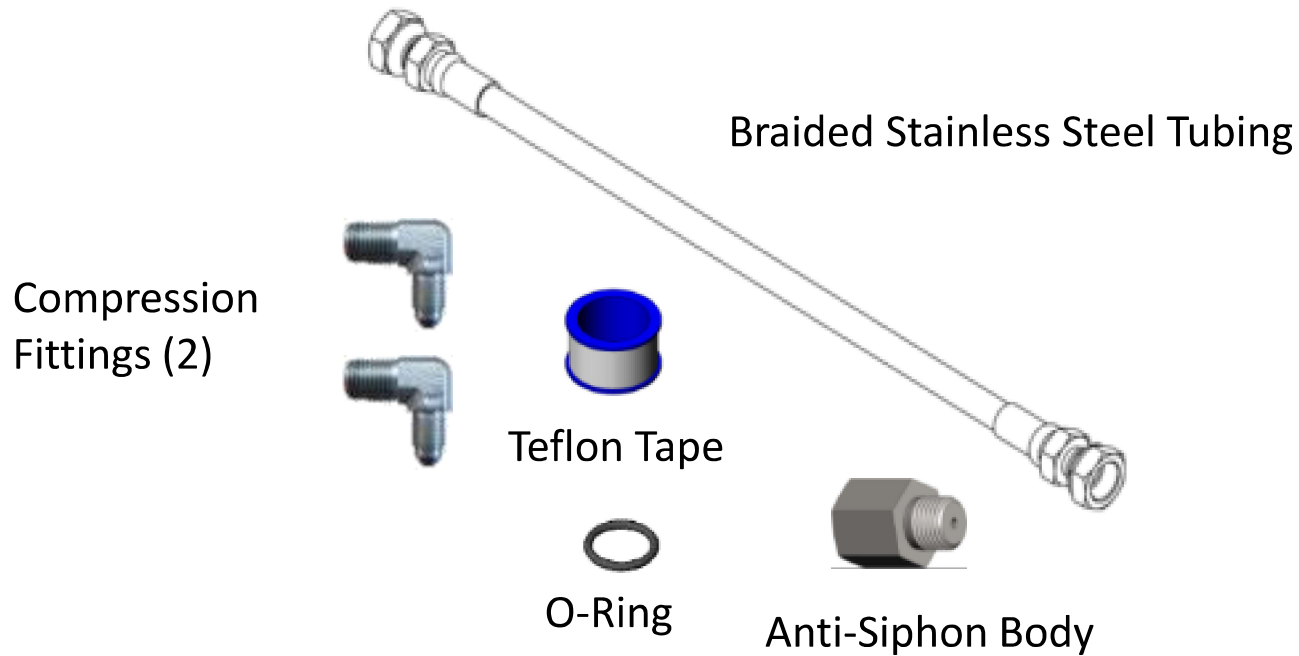


Discharge Flange Gasket



KIT700AS – Anti-Siphon Kit

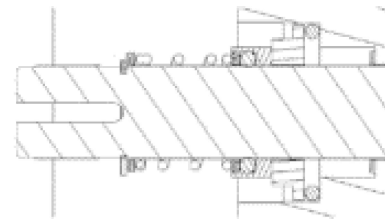
- Used with FR300 and FR700 Series Pumps.



KIT700BD – Bio-Diesel / E85 Conversion Kit

- Use to convert any FR700B or FR700V to be used with Bio-Diesel blends of B21 or greater, or E85.
- When dispensing E85, run the pump at a minimum of 3 times a week to ensure no water builds up in the pump and causes it to rust and lock up.
- All of the items in this kit are made of Fluorocarbon (Viton).
 - The o-rings will either be brown or black. If black, they will have a red paint spot.
 - The rubber tip for the bypass valve will have a red paint spot.

Shaft Seal – [KIT700SL](#)



700B Discharge Flange



Bypass Valve Tip

Strainer Cap Gasket



Rotor Cover Gasket



Bypass Cap Gasket



Discharge Flange Gasket

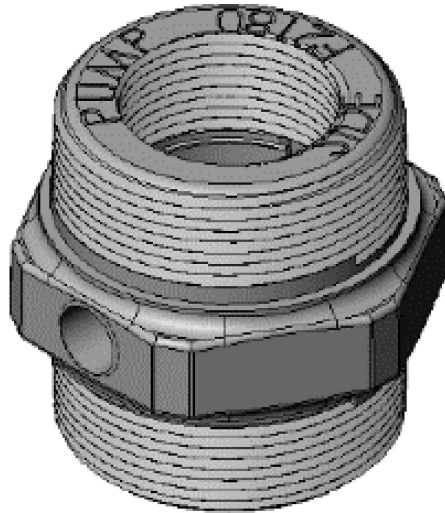


Inlet Flange Gasket



KIT700BG – Bung Adapter Kit

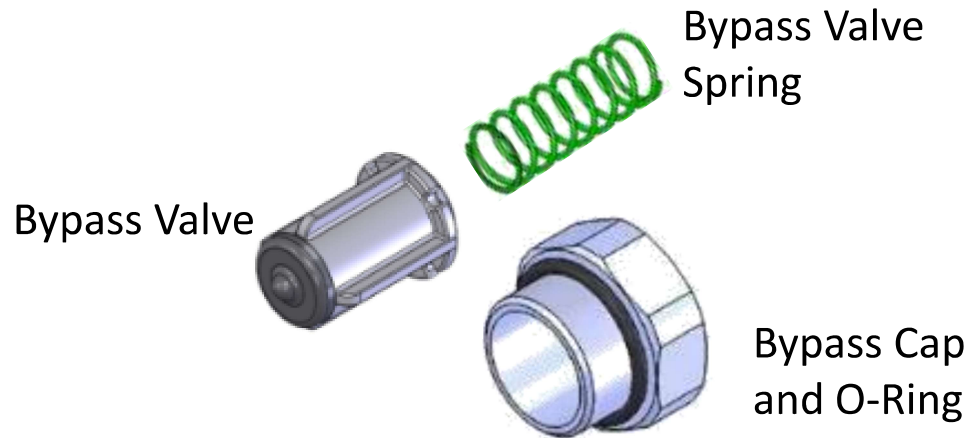
- Used with FR700 and FR300 Series Pumps.
- 2" NPT Threads for Pump and Tank.
- 1¼" NPT Threads for Suction Pipe.



Bung Adapter – Painted Red

KIT700BV – Bypass Valve Kit

- Used with FR700 Series Pumps.



KIT700CV – Check Valve Kit

- Used with FR700 Series Pumps.

Check Valve Assembly



O-Ring for Base of Check Valve



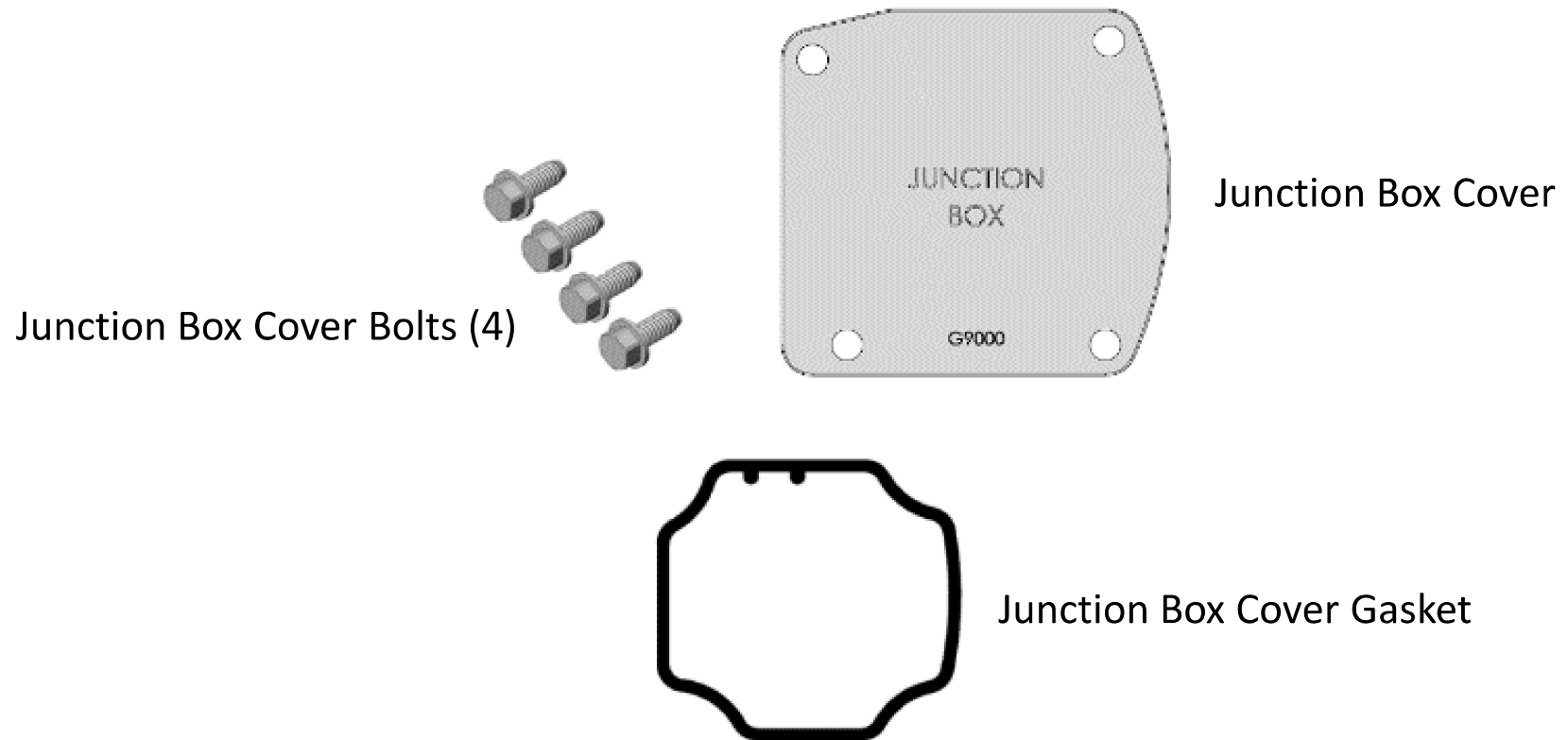
Check Valve Assembly



Discharge Flange O-Ring

KIT700JC – Junction Box Cover Kit

- Used with FR700 Series Pumps.

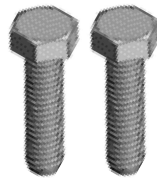


KIT700MA – Meter Flange Kit

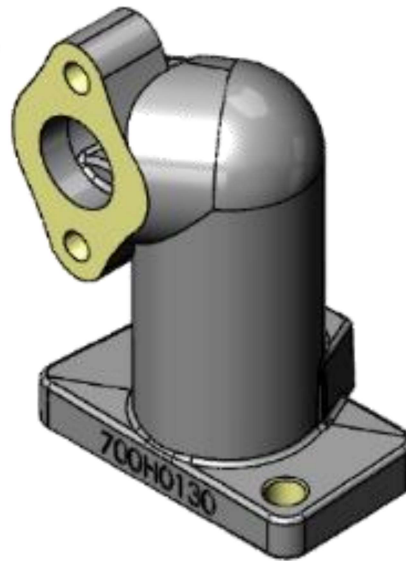
- Used with FR700V Series Pumps to mount an 800 series $\frac{3}{4}$ " meter to the pump.
- To mount a 1" 900 series meter to the 700V series pumps, use [KIT900PF](#).

Pump Discharge Flange for Meter

Bolts to Attach
Meter to Flange



Bolts to Attach
Flange to Pump



Button Head Cap Screw



O-Ring for Button
Head Cap Screw



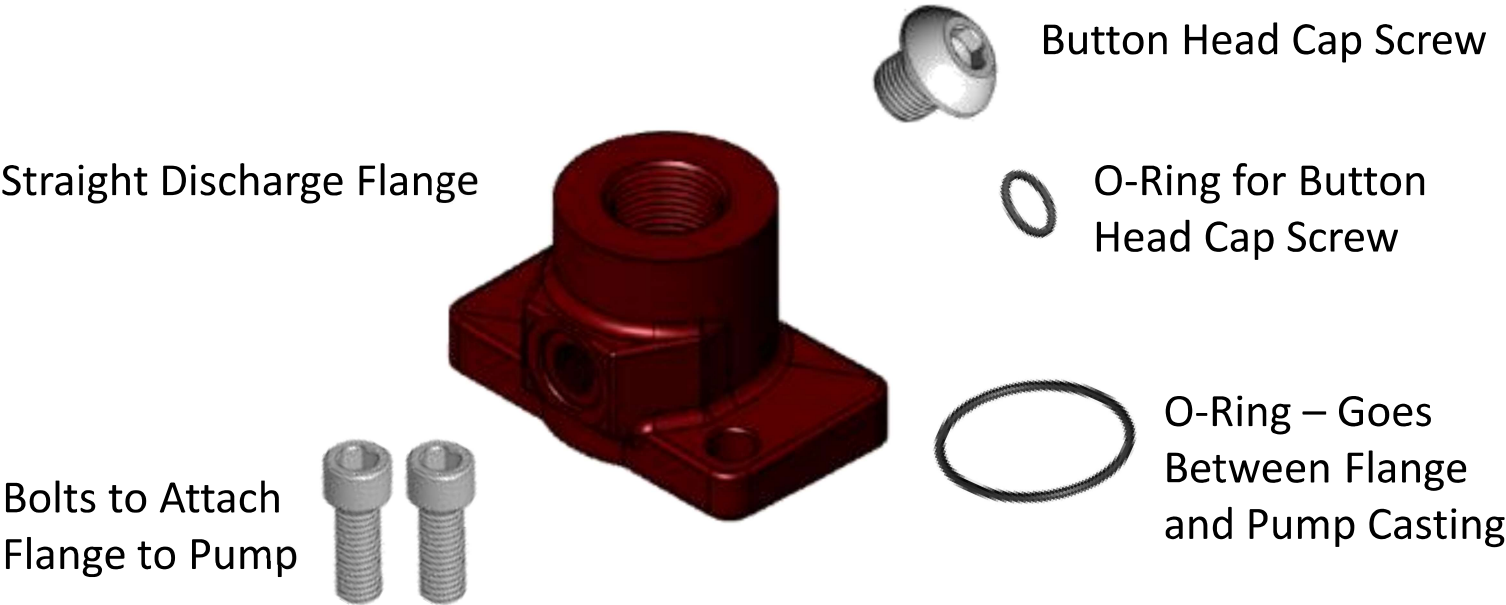
O-Ring – Goes
Between Flange
and Pump Casting



O-Ring – Goes
Between Flange
and Meter

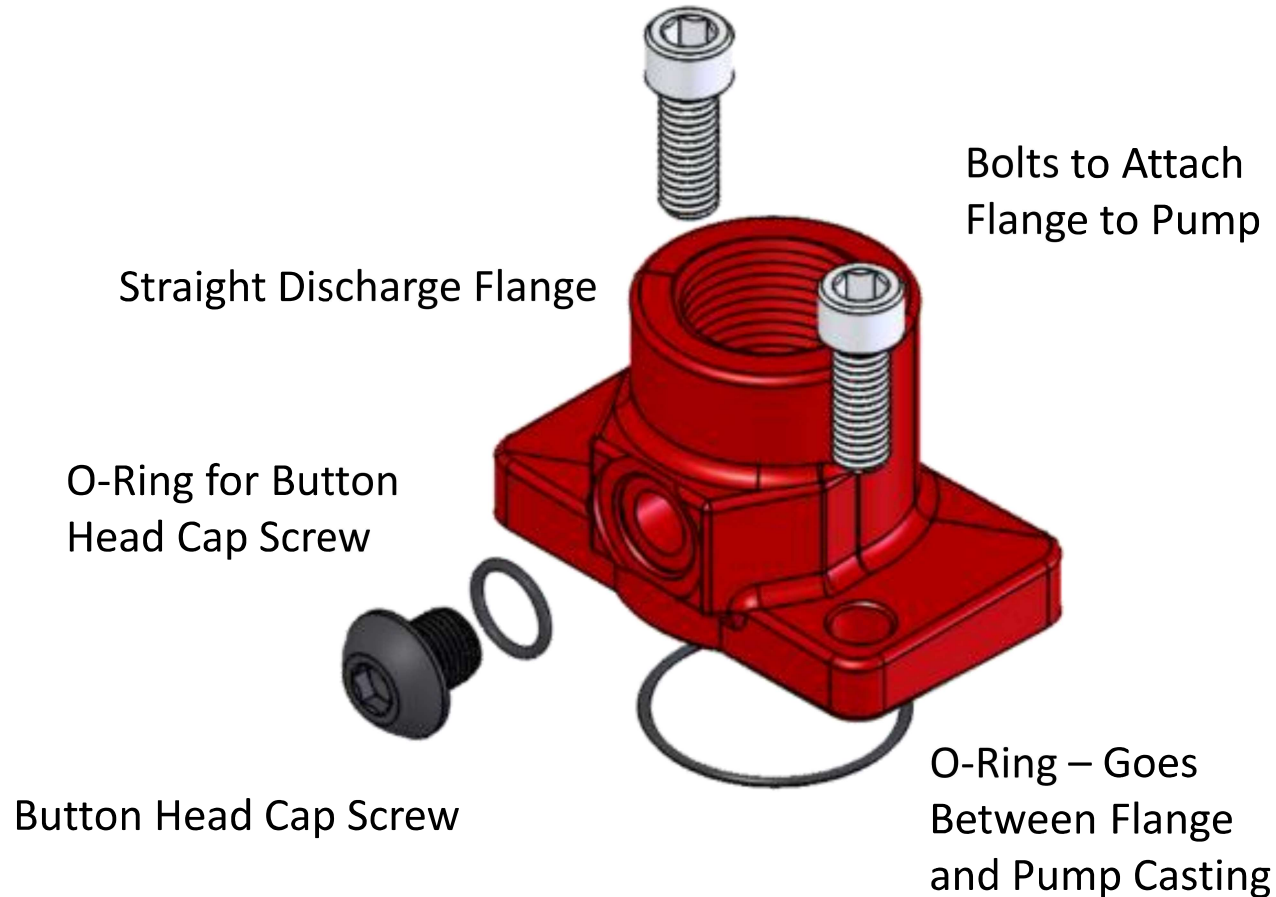
KIT7000T – Straight 3/4" Outlet Flange Kit

- Used with FR700V Series Pumps.



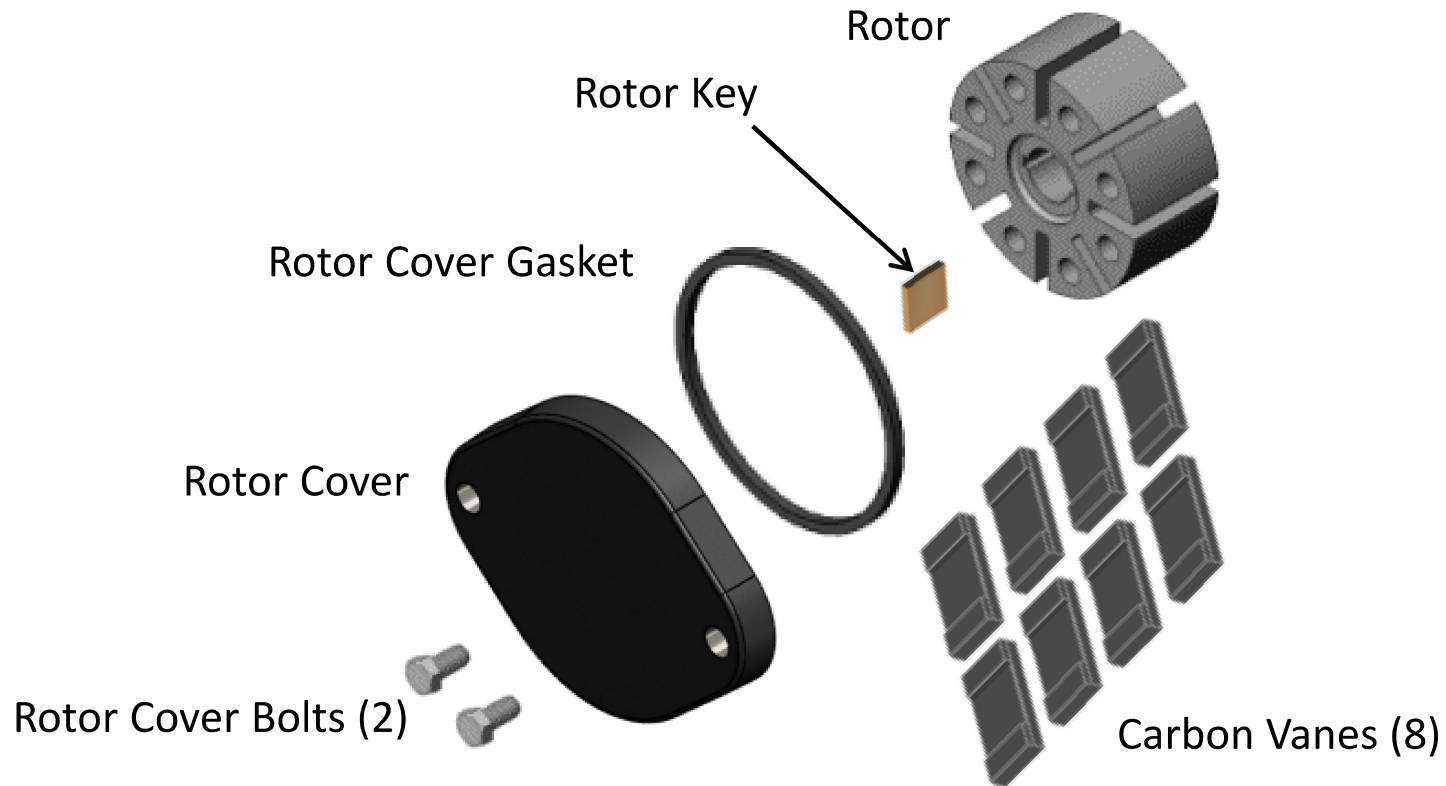
KIT700OT1 – Straight 1" Outlet Flange Kit

- Used with FR700V and FR710V Series Pumps.



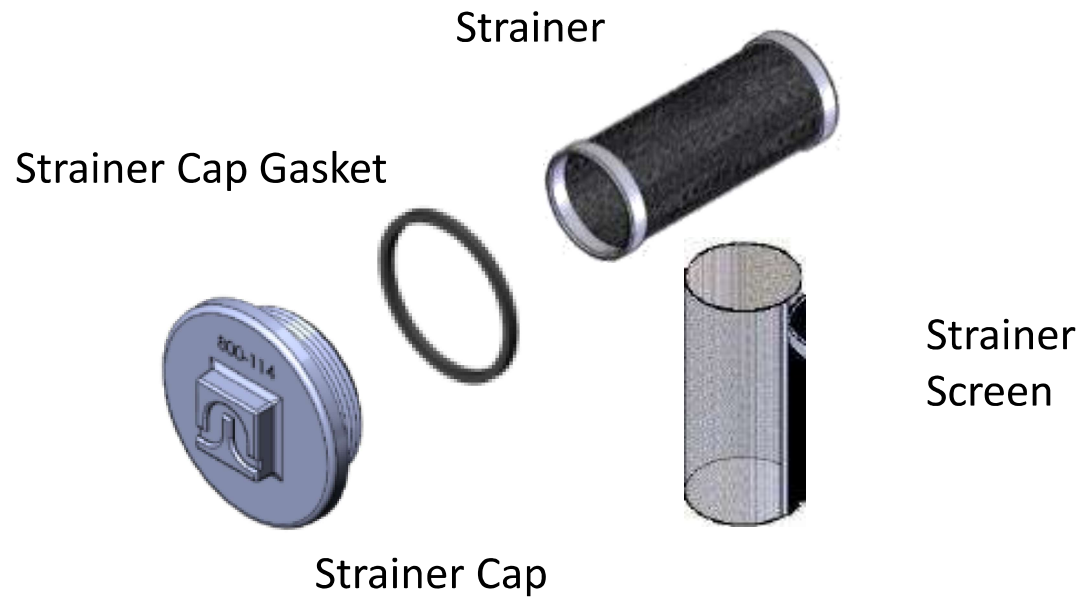
KIT700RG – Rotor Group Kit

- For all FR700B and FR700V series Pumps.
- Always replace the rotor, rotor cover, and rotor cover bolt to ensure they are the same hardness.



KIT700SG – Screen and Gasket Kit

- For all FR700B and FR700V series Pumps.



KIT700SL – Shaft Seal Kit

- Use in all FR300 and FR700 Series Pumps.

